

UVGERMI®

ULTRAVIOLETS DE HAUTE TECHNOLOGIE

*Specialist in
microbiological water treatment
using ultraviolet reactors.*

● ○ ● MADE IN FRANCE

22000172_A_FT10

GERMI AP 60 E

> **Average flow: 5.5 m³/h**

The GERMI AP 60 E is a compact, simple and reliable piece of equipment. It can be used to treat borehole water, rain water, supply water or water from a well contaminated by bacteria. To guarantee drinking water quality, the water must be chemically drinkable before the UV treatment.



Full warranty: 1 year
After-sales in France



TECHNICAL SPECIFICATIONS

ACS MATERIALS

Equipment to treat a water flow rate of 3.9 m³/h to 7.3 m³/h for transmittance values between 92% and 98%, and a UV dose from 25 mJ/cm² to 40 mJ/cm².

UV LAMP

Total electrical power:	60 Watts (1 lamp)
Germicidal power:	18 Watts UVc
Lamp service life:	9,000 hours or 1 year (maximum limit of 5 starts per 24-hour period)

UV REACTOR

Treatment chamber:	Stainless steel 316L
Reactor width:	260 mm
Reactor height:	496 mm
Input/Output:	1" male screw
Maximum pressure authorised:	6 bars
Photosensor for alert if radiation is insufficient	
Wall fixing lugs	

ELECTRICAL BOX

Dimensions (mm):	115 x 220 x 75
Power supply:	230 V/50 Hz
On/Off switch	
Lamp operation indicator	
Hour counter	
Buzzer for lamp fault	

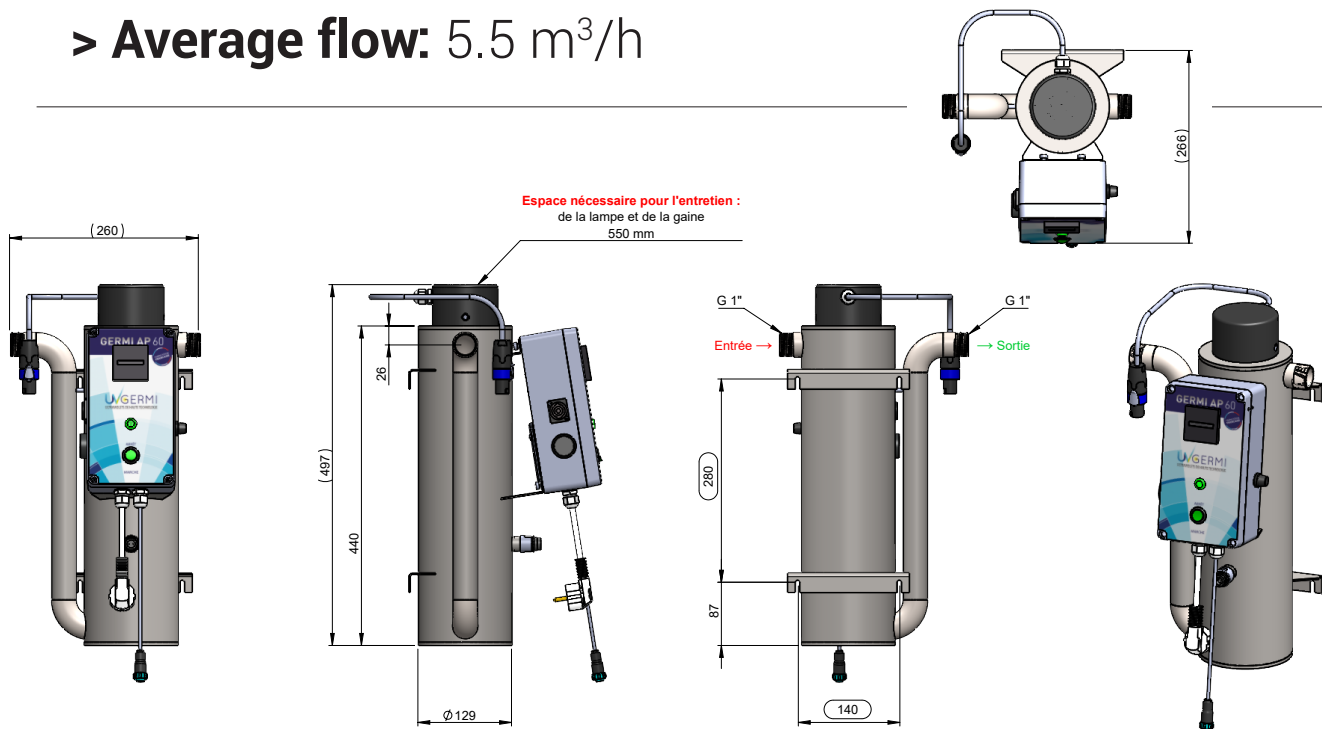
ASSOCIATED PRODUCTS

UV lamp 60 Watts:	14000135
Quartz sleeve:	14000053
O-ring:	14000290

22000172_A_FT10

GERMI AP 60E

> Average flow: 5.5 m³/h



INSTALLATION

The **GERMI AP 60 E** is installed on the main water supply pipe.

It can be secured to the wall with its mounting system. It must be positioned vertically. Sufficient space must be left above the **GERMI AP 60 E** (at least 550 mm) or allow for easy dismantling of the unit (bypass) to replace the UV lamp. The unit must be protected against "water hammer" using a water hammer protection device (pressure vessel, shock absorber, etc.) if needed. It must be protected from frost, excessive heat and humidity (indoor installation).

We strongly recommend installing a filter upstream of the unit to reduce the particles that might mask the UV radiation.

MAINTENANCE

Maintenance is limited to the replacement of the UV lamp and the replacement or cleaning of the sleeve. The UV lamp has a maximal service life of 9,000 hours, after which water disinfection is no longer guaranteed.

The quartz sleeve protecting the lamp makes lamp replacement much easier. The quartz sleeve may become clogged or lime scale deposits may form. It should be cleaned regularly with mild acid.