

# UVGERMI®

ULTRAVIOLETS DE HAUTE TECHNOLOGIE

*Specialist in  
the treatment of legionella  
using ultraviolet reactors.*

● ○ ● MADE IN FRANCE

15000154\_A\_FT10

## GERMI AP 36

> **Flow rate:** up to 2 m<sup>3</sup>/h



**Full warranty:** 1 year

**After-sales in France**



### TECHNICAL SPECIFICATIONS

#### ACS MATERIALS

Equipment to treat a water flow rate up to to 2 m<sup>3</sup>/h for a minimal transmittance value of 98% and a UV dose of at least 40 mJ/cm<sup>2</sup>.

#### UV LAMP

Total electrical power:	36 Watts (1 lamp)
Germicidal power:	12 Watts UVc
Lamp service life:	9,000 hours or 1 year (maximum limit of 5 starts per 24-hour period)

#### UV REACTOR

Treatment chamber:	Stainless steel 316L
Reactor width:	222 mm
Reactor height:	497 mm
Input/Output:	3/4" male screw
Maximum pressure authorised:	6 bars
Photosensor for alert if radiation is insufficient	
Wall fixing lugs	

#### ELECTRICAL BOX

Dimensions (mm):	115 x 220 x 75
Power supply:	230 V/50 Hz
On/Off switch	
Lamp operation indicator	
Hour counter	
Buzzer for lamp fault	

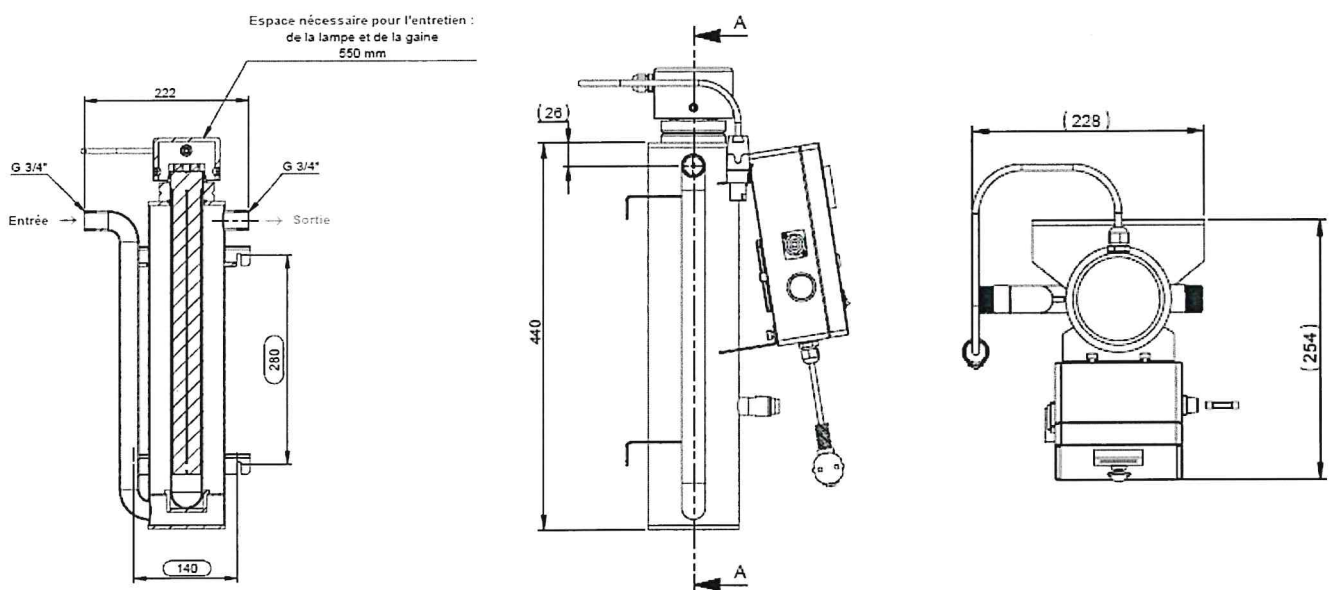
#### ASSOCIATED PRODUCTS

UV lamp 36 Watts:	14000133
Quartz sleeve:	14000053
O-ring:	14000290

15000154\_A\_FT10

## GERMI AP 36

> **Flow rate:** up to 2 m<sup>3</sup>/h



### INSTALLATION

The **GERMI AP 36** is installed on the main water supply pipe.

It can be secured to the wall with its mounting system. It must be positioned vertically. Sufficient space must be left above the **GERMI AP 36** (at least 550 mm) or allow for easy dismantling of the unit (bypass) to replace the UV lamp. The unit must be protected against "water hammer" using a water hammer protection device (pressure vessel, shock absorber, etc.) if needed. It must be protected from frost, excessive heat and humidity (indoor installation).

**We strongly recommend installing a filter upstream of the unit** to reduce the particles that might mask the UV radiation.

### MAINTENANCE

Maintenance is limited to the replacement of the UV lamp and the replacement or cleaning of the sleeve. The UV lamp has a maximal service life of 9,000 hours, after which water disinfection is no longer guaranteed.

The quartz sleeve protecting the lamp makes lamp replacement much easier. The quartz sleeve may become clogged or lime scale deposits may form. It should be cleaned regularly with mild acid.