

©Shutterstock.com

UVGERMI®

ULTRAVIOLETS DE HAUTE TECHNOLOGIE

Specialist in industrial water treatment solutions using ultraviolet reactors.

● ○ ● MADE IN FRANCE

18000387_A_FT10

GERMI BD 300

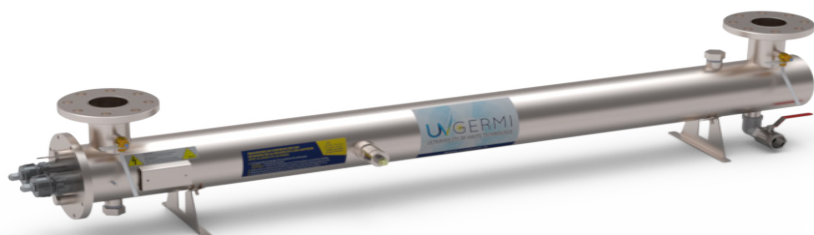
> **Flow rate:** from 9.7 to 24.1 m³/h



Full warranty: 1 year

After-sales in France

The **GERMI BD 300** is specifically designed for the treatment of industrial process water (rinsing, washing or recycled water), or water to be discharged or stored. It also enables the production of ultra pure water and the protection of equipment (osmosis, filtration).



TECHNICAL SPECIFICATIONS

Equipment to treat an average water flow rate of 9.7 m³/h (T₁₀= 50% and a UV dose of at least 60 mJ/cm²) to 24.1 m³/h (T₁₀= 70% and a UV dose of at least 40 mJ/cm²).
T₁₀ = UV transmittance over 10 mm at 254 nm.

UV LAMP

Total electrical power: 600 W (2 lamps)
 Germicidal power: 230 W UVC
 Lamp service life: 16,000 hours or 2 years

UV REACTOR

Treatment chamber: Stainless steel 316L
 Input/Output: DN 65
 Maximum pressure authorised: 6 bars
 Protection rating: IP 54
 Triangle support
 Temperature probe
 Önorm UV sensor

ELECTRICAL CABINET

Dimensions (mm): 400 x 600 x 210
 Protection rating: IP 52
 Power supply: 230 V / 50 Hz
 On/off switch / Lamp operation indicator
 / Hour counter / Fault light indicator

ASSOCIATED PRODUCTS

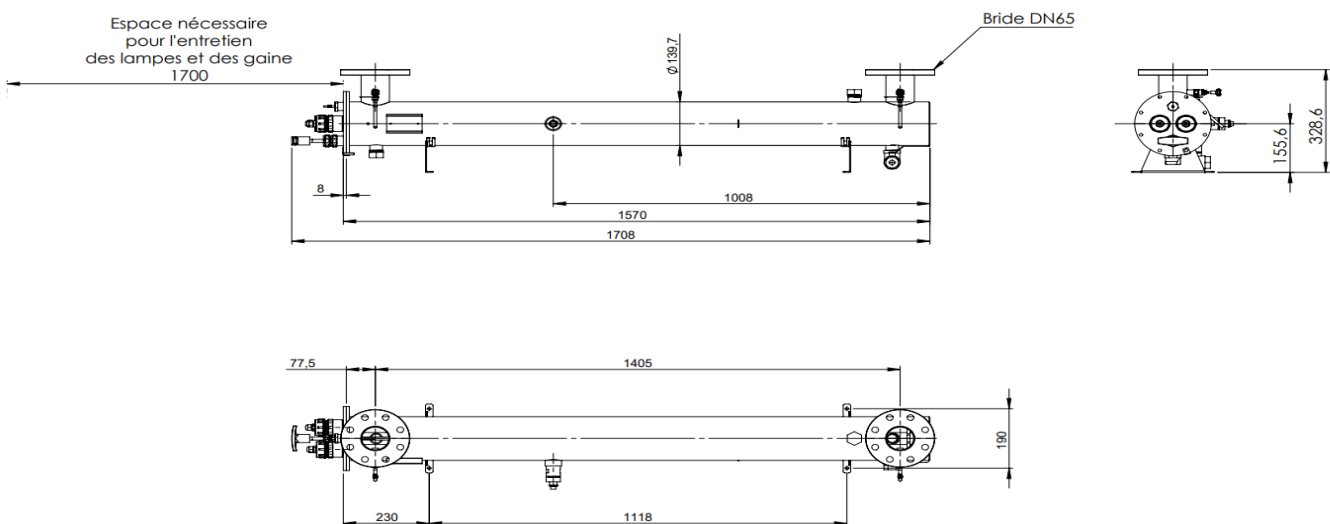
300 W UV lamp: 14000127
 Quartz sleeve: 14000089
 O-ring: 14000088

OPTIONS Manual cleaning of the sleeve by pull tab / IP65 cabinet / Automatic air bleed / Frequency 60 Hz

18000387_A_FT10

GERMI BD 300

> **Flow rate:** from 9.7 to 24.1 m³/h



INSTALLATION

The **GERMI BD 300** is installed on the main water supply pipe. It should be positioned **horizontally**, water entry and exit are equivalent. Sufficient space must be left on the connector side of the lamps (at least 1.7 m) or allow for easy dismantling of the unit (bypass) to replace the UV lamps.

If the reactor must be installed vertically, it must be equipped with an automatic air bleed in the upper part. If applicable, we recommend having the water enter via the bottom and exit via the top of the reactor.

The device must be protected against "water hammer" using a water hammer protection device (pressure vessel, shock absorber, etc.) if needed. It must also be protected from freezing or very hot temperatures. **We strongly recommend installing a filter upstream of the unit** to reduce the particles that might mask the UV radiation.

MAINTENANCE

Maintenance is limited to the replacement of the UV lamps and the replacement or cleaning of the sleeves. The UV lamps have a maximal service life of 16,000 hours, after which water disinfection is no longer guaranteed. The quartz sleeves

protecting the lamp make lamp replacement much easier. The quartz sleeves may become clogged or deposits may form. They should be cleaned with mild acid.