



©Shutterstock.com

# UVGERMI®

ULTRAVIOLETS DE HAUTE TECHNOLOGIE

*Specialist in industrial water treatment solutions using ultraviolet reactors.*

● ○ ● MADE IN FRANCE



**Full warranty:** 1 year

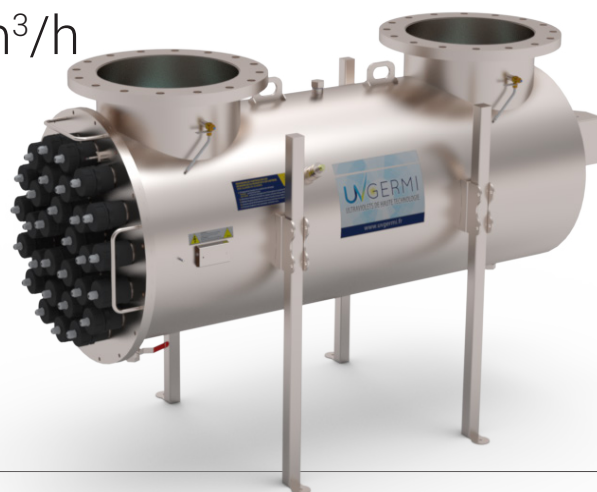
**After-sales in France**

18000400\_A\_FT10

## GERMI ZDD 600 NA

> **Flow rate:** from 284 to 797 m<sup>3</sup>/h

The **GERMI ZDD 600 NA** is specifically designed for the treatment of industrial process water (rinsing, washing or recycled water), or water to be discharged or stored. It also enables the production of ultra pure water and the protection of equipment (osmosis, filtration).



### TECHNICAL SPECIFICATIONS

**Equipment to treat an average water flow rate of 454 m<sup>3</sup>/h (T<sub>10</sub> = 50%) to 813 m<sup>3</sup>/h (T<sub>10</sub> = 70%) for a UV dose of 40 mJ/cm<sup>2</sup> at the end of the lamp service life. (T<sub>10</sub> = UV transmittance over 10 mm at 254 nm).**

#### UV LAMP

**Total electrical power:** 18 kW (30 lamps)  
**Germicidal power:** 6.3 kW UVC  
**Lamp service life:** 12,000 hours or 16 months

#### UV REACTOR

**Treatment chamber:** Stainless steel 316L  
**Input/Output:** DN 400  
**Maximum pressure authorised:** 2 bars  
**Protection rating:** IP 54  
**Support feet**  
**Temperature probe**  
**Automatic motorised cleaning**  
**Önorm UV sensor**

#### ELECTRICAL CABINET

**Dimensions (mm):** 1,200 x 1,800 x 400  
**Protection rating:** IP 52  
**Power supply:** 400 V+E+N / 50 Hz  
**On/off switch / Lamp operation indicator / Hour counter / LCD display**

#### ASSOCIATED PRODUCTS

**600 W UV lamp:** 14000100  
**Quartz sleeve:** 14000055  
**O-ring:** 15000204

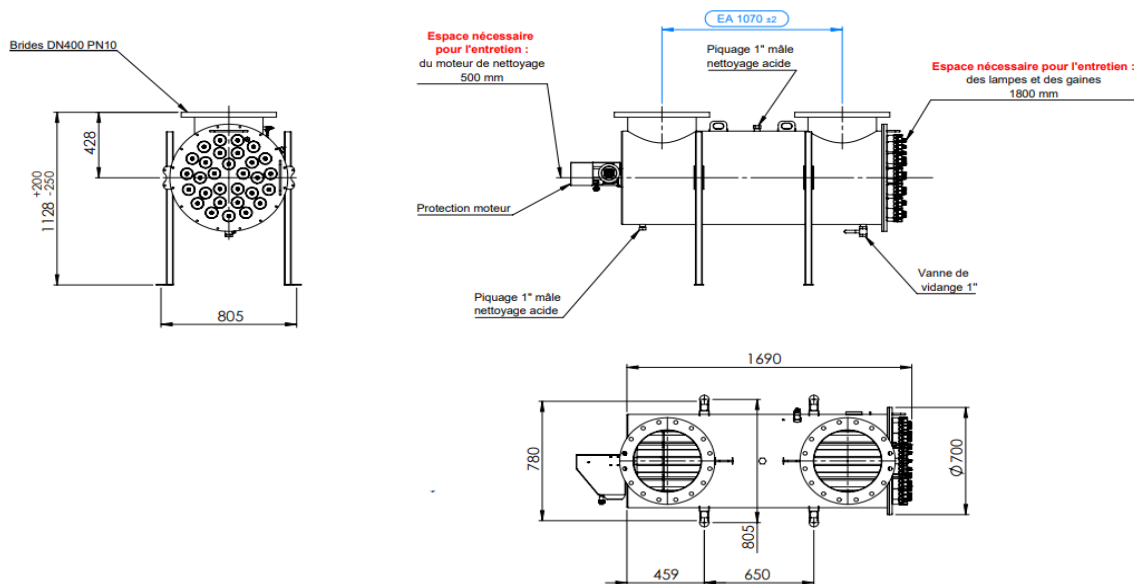
#### OPTIONS

**Automatic air bleed / Frequency 60 Hz / IP 65 cabinet**

18000400\_A\_FT10

## GERMI ZDD 600 NA

> **Flow rate:** from 284 to 797 m<sup>3</sup>/h



### INSTALLATION

The **GERMI ZDD 600 NA** is installed on the main water supply pipe. It should be positioned **horizontally**, water entry and exit are equivalent. Sufficient space must be left on the connector side of the lamps (at least 1.7 m) or allow for easy dismantling of the unit (bypass) to replace the UV lamps.

**If the reactor must be installed vertically**, it must be equipped with an automatic air bleed in the upper part. If applicable, we recommend having the water enter via the bottom and exit via the top of the reactor.

The device must be protected against "water hammer" using a water hammer protection device (pressure vessel, shock absorber, etc.) if needed. It must also be protected from freezing or very hot temperatures. **We strongly recommend installing a filter upstream of the unit** to reduce the particles that might mask the UV radiation.

### MAINTENANCE

Maintenance is limited to the replacement of the UV lamps and the replacement or cleaning of the sleeves. The UV lamps have a maximal service life of 12,000 hours, after which water disinfection is no longer guaranteed. The quartz sleeves

protecting the lamp make lamp replacement much easier. The quartz sleeves may become clogged or deposits may form. They should be cleaned with mild acid.