



©Shutterstock.com

# UVGERMI®

ULTRAVIOLETS DE HAUTE TECHNOLOGIE

*Specialist in  
microbiological water treatment  
using ultraviolet reactors.*

● ○ ● MADE IN FRANCE

16000021\_A\_FT10

## GERMI ULTRA 1000 E

> **Average flow:** 2 m<sup>3</sup>/h

This unit produces **drinking water** with an appropriate bacteriological content by combining filtration with UV disinfection. Bacteria and viruses are destroyed without using chemical substances.

### APPLICATIONS:

Spring water, boreholes, wells, etc.



**Full warranty:** 1 year

**After-sales in France**

## TECHNICAL SPECIFICATIONS

Flow treated:	2 m <sup>3</sup> /h
Total electrical power:	25 W (1 lamp)
Germicidal power:	7 W
Lamp service life:	9,000 hours or 1 year
Filtration:	50 µm (option of 5, 10 or 25 µm, activated carbon)
Input/Output:	3/4" female
Power supply:	230 V/50-60 Hz
Maximum pressure:	3 bars

### CONTROL BOX

Day counter

Audible alarm if the lamp shuts down or reaches its end of life

Light indicators for lamp operation and fault

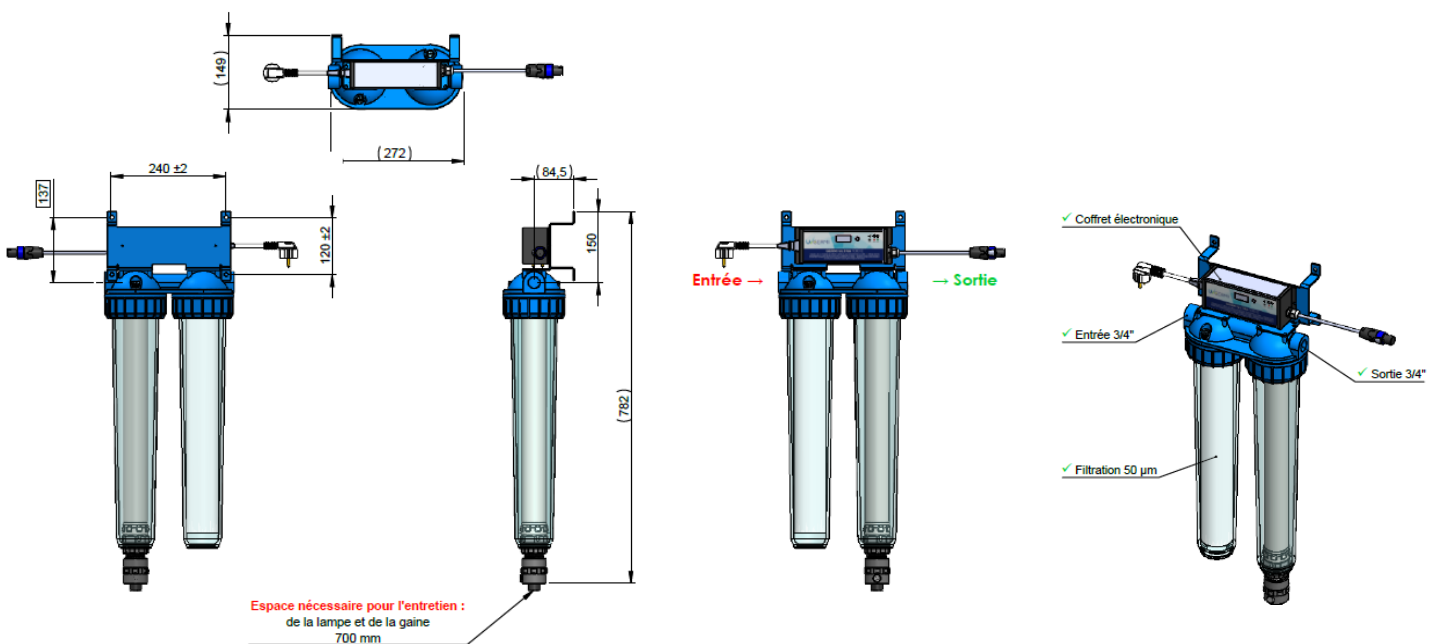
### ASSOCIATED PRODUCTS

25 W UV lamp:	15000715
Quartz sleeve:	14000050
O-ring:	14000088
50 µm filter:	493823

16000021\_A\_FT10

# GERMI ULTRA 1000 E

> **Average flow:** 2 m<sup>3</sup>/h



## INSTALLATION

The **GERMI ULTRA 1000 E** is installed on the main water supply pipe. It can be secured to the wall with its mounting system. It should be positioned vertically. Sufficient space must be left below the **GERMI ULTRA 1000 E** (at least 700 mm) or provide for easy dismantling of the unit (bypass) to replace the UV lamp and the cartridge.

The device must be protected against "water hammer" using a water hammer protection device (pressure vessel, shock absorber, etc.) if needed. It must be protected from frost, excessive heat and humidity (indoor installation).

## MAINTENANCE

Maintenance is limited to the replacement of the UV lamp and the replacement or cleaning of the filter cartridge. The UV lamp has a maximal service life of 9,000 hours, after which water disinfection is no longer guaranteed.

The quartz sleeve protecting the lamp makes lamp replacement much easier: there is no need to drain or dismantle the **GERMI ULTRA**. The quartz sleeve may become clogged or lime scale deposits may form. It should be cleaned with a clean cloth and mild acid.

*\*The GERMi ULTRA 1000 E can produce drinking water provided the incoming water is chemically drinkable.*