

THE
UVZEN

- **UVZEN 2P62** - 5 TO 20 m³/h
Ref. 24000323
- **UVZEN 3P62** - 15 TO 30 m³/h
Ref. 23000088



Choose **UVZEN** technology and rediscover the joys of bathing with absolute piece of mind!

UVZEN is a revolutionary treatment for private pools, offering a simple, effective and affordable solution to guarantee crystal clear water. With its advanced technology, **UVZEN** removes unwanted micro-organisms while significantly reducing chemical use. Protect the health of bathers while enjoying a naturally healthy eco-friendly swimming pool.

MINIMUM MAINTENANCE FOR MAXIMUM PERFORMANCE

UVZEN simplifies your daily life and guarantees complete peace of mind.

•••
AND WITHOUT ANY ADDITIONAL TOOLS!

UV lamp replacement every 2 years (or after 16,000 hours in operation)

Quick & easy cleaning of the quartz sleeves and annual o-ring **replacement**

Quartz sleeve replacement only needed every 5 years in the case of 24/7 operation

Human-Machine Interface (HMI):

LAMP OPERATION INDICATOR: Green/Red *in case of a fault*

POWER INDICATOR LIGHT: White

SERVICE LIFE INDICATORS: Green 15000 h / Orange 16000 h / Red+Buzzer *Service life exceeded*

HOUR COUNTER RESET: Yes

WIFI CONNECTION with a dedicated application for the user and the operator: **Yes**

DIMENSIONS: 358x248x119 mm

POWER SUPPLY: 230 V/50-60 Hz

	UVZEN 2P62	UVZEN 3P62
--	-------------------	-------------------

UV LAMP	TOTAL ELECTRICAL POWER	124 Watts (2x62 Watts)	186 Watts (3x62 Watts)
	TOTAL GERMICIDAL POWER	46 Watts UVc	69 Watts UVc
	LAMP SERVICE LIFE	16,000 hours or 2 years with 5 starts max./24 hours	

UV REACTOR	TREATMENT CHAMBER	Transparent PMMA to filter UVc light	
	INPUT/OUTPUT	PVC 50/63 to be glued: Rotation Potential 360° rotation for easy installation	
	MAXIMUM PERMITTED PRESSURE	1.5 bar	
	INSTALLATION	Vertical, floor installation	

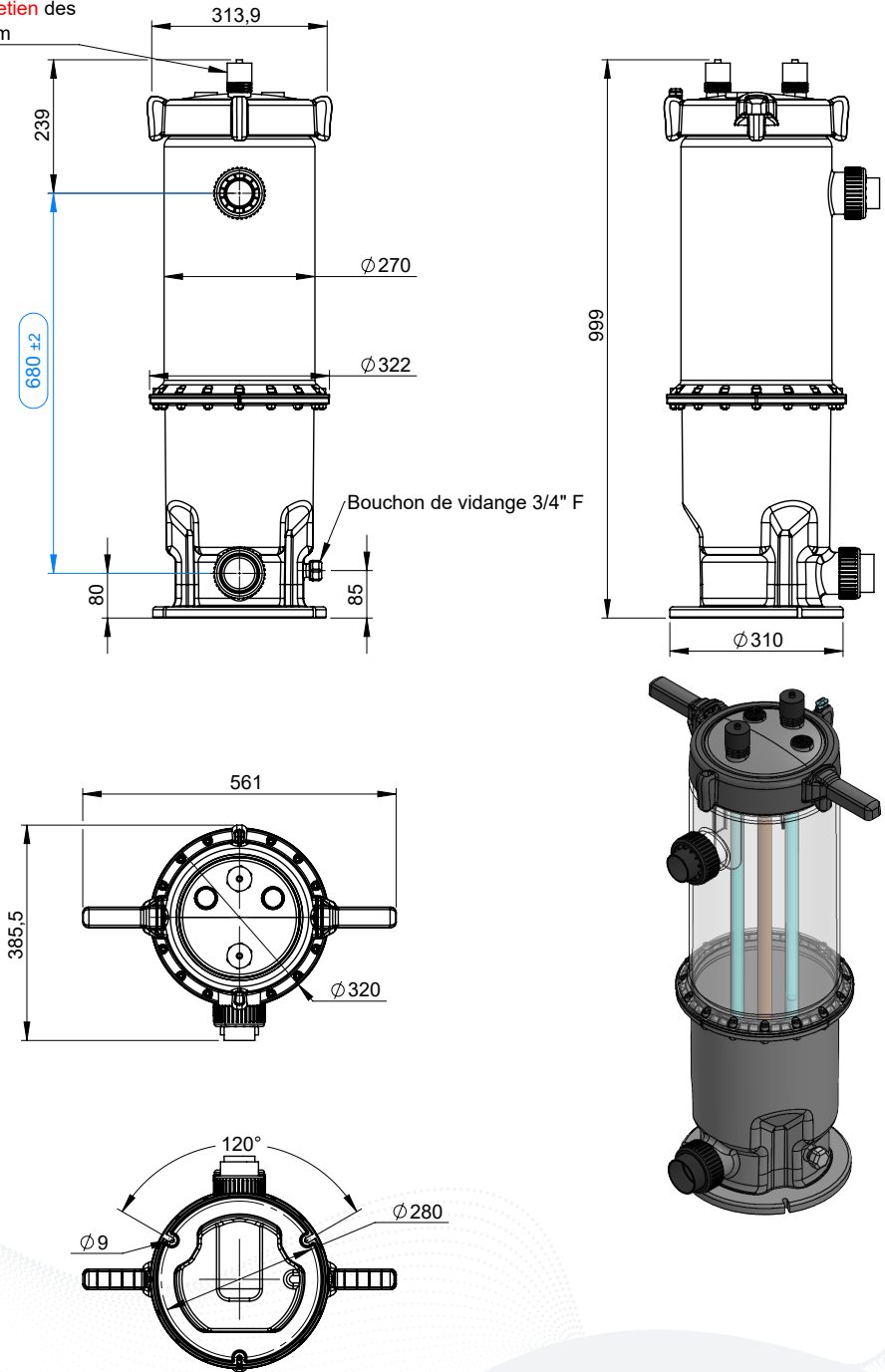
REFERENCES ASSOCIATED CONSUMABLES ASSOCIÉS	62 W UV LAMP	24000037	24000037
	QUARTZ SLEEVE	23000010	23000010
	O-RING	19000086	19000086

ELECTRICAL BOX
identical for both models

THE UVZEN

- UVZEN 2P62 - 5 TO 20 m³/h - Ref. 24000323
- UVZEN 3P62 - 15 TO 30 m³/h - Ref. 23000088

Espace nécessaire pour l'entretien des gaines et des lampes : 700mm



INSTALLATION

UVZEN is easy to install with its two glue-on end caps and its two-part design which allows the inlets and outlets to rotate 360°. For maximum efficiency, make sure your system includes high-performance filtration upstream of the UVZEN to remove impurities for clear feed water.

It is recommended to add valves (or a bypass) before and after the system for easier dismantling during maintenance. A drain valve is also required for maintenance. UVZEN must

be protected from frost and excessive humidity, installed in a dry indoor location and protected against vibrations and shocks.

Never operate the system without water and make sure it is connected to the recirculation pump. Using a residual algicide is recommended to improve the effectiveness of the system.

